



APTEK APS1220 is SFP+10GBASE-T Copper Small Form Pluggable (SFP) transceivers based on the SFP Multi Source Agreement (MSA) . It's compatible with the 10Gbase-T / 5Gbase-T / 2.5Gbase-T / 1000base-T standards as specified in IEEE Std 802.3 .

1. Features:

- Support 10Gbase-T / 5Gbase-T / 2.5Gbase-T / 1000base-T on line port
- Support 10Gbase-R on host port
- Hot-pluggable SFP footprint
- Compact RJ-45 connector assembly
- RoHS compliant and lead-free
- Single +3.3V power supply
- 10Gigabit Ethernet
- Ambient Operating temperature: 0°C to +60°C



2. Cable Length

Line Port	Cable	Reach	Host Port
10Gbase-T	CAT6A	30m	10GBase-R
5Gbase-T	CAT5E	50m	10GBase-R
2.5Gbase-T	CAT5E	50m	10GBase-R
1000base-T	CAT5E	100m	10GBase-R
100base-Tx	CAT5E	100m	10GBase-R
10base-Tx	CAT5E	100m	10GBase-R



3. +3.3V Volt Electrical Power Interface

+3.3 Volt Electrical Power Interface						
Parameter	Symbol	Min	Typ	Max	unit	Notes/Conditions
Supply Current	Is		700	900	mA	3.0W max power over full range of voltage and temperature. See caution note below
Input Voltage	Vcc	3.13	3.3	3.47	V	Referenced to GND
Maximum Voltage	Vmax			4	V	
Surge Current	Isurge		TBD		mA	Hot plug above steady state current. See caution note below

4. General Specifications

General						
Parameter	Symbol	Min	Typ	Max	unit	Notes/Conditions
Data Rate	BR	1		10	Gb/sec	IEEE 802.3 compatible. See Notes 1,2 below

5. EEPROM INFORMATION (A0)

Addr	Field Size (Bytes)	Name of Field	HEX	Description
0	1	Identifier	03	SFP
1	1	Ext. Identifier	04	MOD4
2	1	Connector	22	RJ45
3-10	8	Transceiver	00 00 00 00 00 00 00 00	Transmitter Code
11	1	Encoding	06	64B66B
12	1	BR, nominal	67	10000Mbps
13	1	Reserved	00	
14	1	Length (9um)-km	00	
15	1	Length (9um)	00	
16	1	Length (50um)	08	80
17	1	Length (62.5um)	03	30
18	1	Length (copper)	00	
19	1	Reserved	1E	30
20-35	16	Vendor name	57 49 4E 54 4F 50 20 20 20 20 20 20 20 20 20 20	APTEK

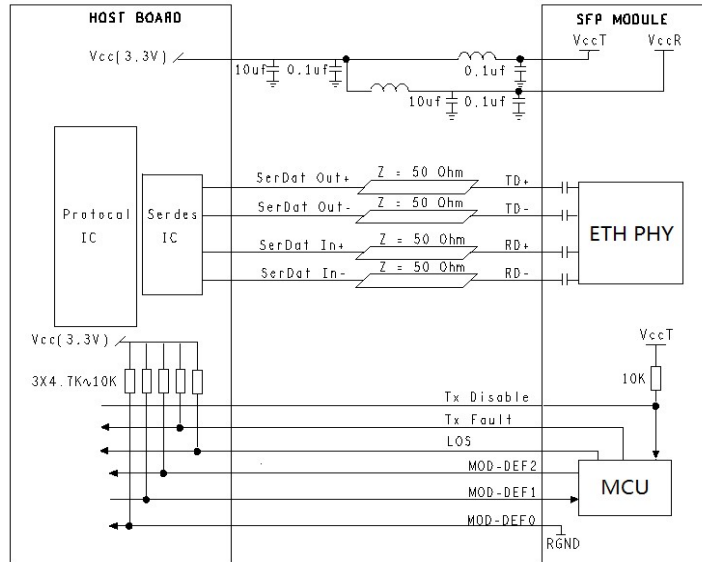


36	1	Reserved	00	
37-39	3	Vendor OUI	00 00 00	
40-55	16	Vendor PN	xx xx xx xx xx xx xx xx xx xx xx xx xx xx xx xx	ASC II
56-59	4	Vendor rev	31 2E 30 20	V1.0
60-61	2	Wavelength	00 00	
62	1	Reserved	00	
63	1	CC BASE	XX	Check sum of byte 0~62
64-65	2	Options	00 1A	LOS, TX_DISABLE, TX_FAULT
66	1	BR, max	00	
67	1	BR, min	00	
68-83	16	Vendor SN	00 00 00 00 00 00 00 00 00 00 00 00 00 00 00 00	Unspecified
84-91	8	Vendor date code	XX XX XX 20	Year, Month, Day
92-94	3	Reserved	00	
95	1	CC_EXT	XX	Check sum of byte 64~94
96-255	160	Vendor specific		

6. Environmental Specifications

Environmental Specifications						
Parameter	Symbol	Min	Typ	Max	unit	Notes/Conditions
Operating Temperature	Top	0		60	°C	Case temperature
Storage Temperature	Tsto	-40		85	°C	Ambient temperature

7. Recommended Application Circuit



8. Outline Dimensions (mm)

